

Pallet king 2500 Parts list

Operation and Maintenance

The foot pedal has a neutral position between raise and lower positions. This should always be used when moving the pallet truck, as in this position no load is put on the lifting mechanism.

Sealed wheel bearings are used throughout but light oiling of linkage pins and other parts will reduce wear.

Hydraulic oil should only be added to the reservoir with the hydraulic in the lower position. Fill only to filler plug level with hydraulic oil.

N.B. When ordering parts quote frame size or frame number.

PART No.	DESCRIPTION
1	Complete welded frame
2	Securing bolt for hyd. assy.
3	Nylon entry roller
4	Bolt entry roller
5	Trunnion
6	Trunnion shaft
7	Push rod
8	Excentor & bolt assy.
9	Shaft - push rod to fork
10	Shaft - fork to frame
11	Lock pin
12	Load roller fork
13	Load roller axle
14	Load roller nylon
or	Load roller Polyurathane
15	Load roller bearing
16	Tanden bogie assy. nylon - poly
17	Complete hyd.
18	Handle assy.
19	Handle securing bolt
20	Filler plug
21	Hydraulic housing
22	Top nut
23	Lift piston
24	Lift piston ball
25	Piston seal support bush
26	Piston seal support circlip
27	Pump piston
28	Pump piston sleeve
29	Pump spacer
30	Pump spring
31	Pump piston retainer
32	Pump spring circlip
33	Seal kit (all seals, o rings and washers).
34	Valve pin, body spring and ball
35	Taper valve assy. with spring
36	Foot pedal assy.
37	Trunnion Bush
38	Lock nut
39	Swivel body thrust bearing
40	Swivel body
41	Circlip
42	Bolts - swivel body to trunnion arm
43	Steering axle with circlips
44	Circlip - securing wheels
45	Steering wheels- nylon or polyurethane
46	Steering wheel bearings

Trouble Shooting

TRUCK WILL NOT RAISE

- 1 Check oil level
- 2 Valve (35) leaking or dirty.
Before removal try pumping unit in neutral position to flush dirt out of valve seats. Raise and lower several times and replace filler plug.
- 3 Tension on valve (34) too tight.
Slacken Lock nut (38) locating pedal, off several turns.

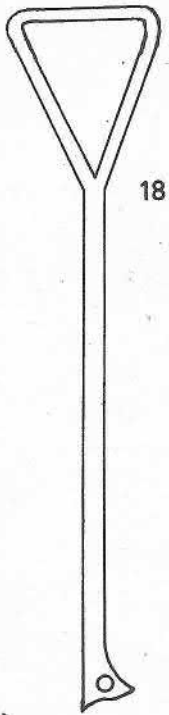
OPTIONS

47	Rubber covered handle
	<u>Hand Control</u>
48	Crankarm
49	Release handle
50	Cable
51	Spring
52	Seal Kit heavy duty model
53	Heavy duty swivel body

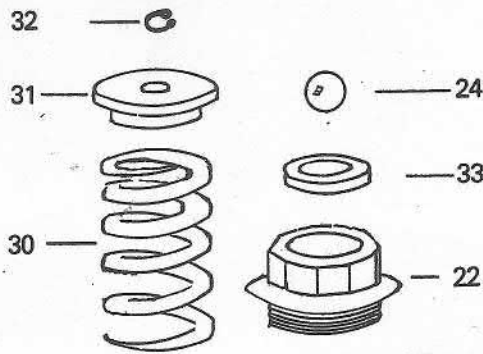


OPTIONS

Hydraulic Unit

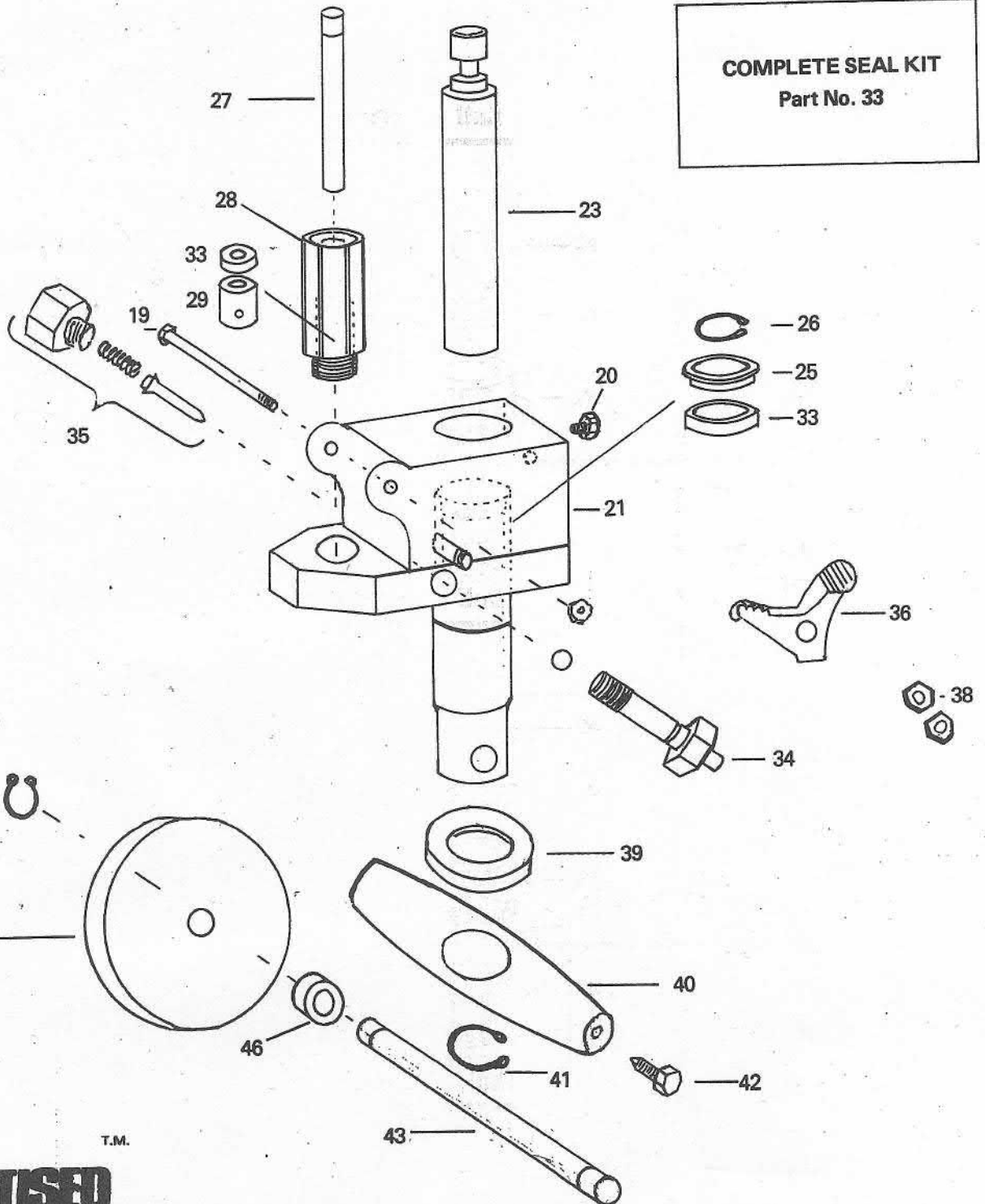


18



COMPLETE HYDRAULIC UNIT
Part No 17

COMPLETE SEAL KIT
Part No. 33



44

45

T.M.



Frame Parts

