



WTC POWER STACKER

Combines the best
features of all
power stackers



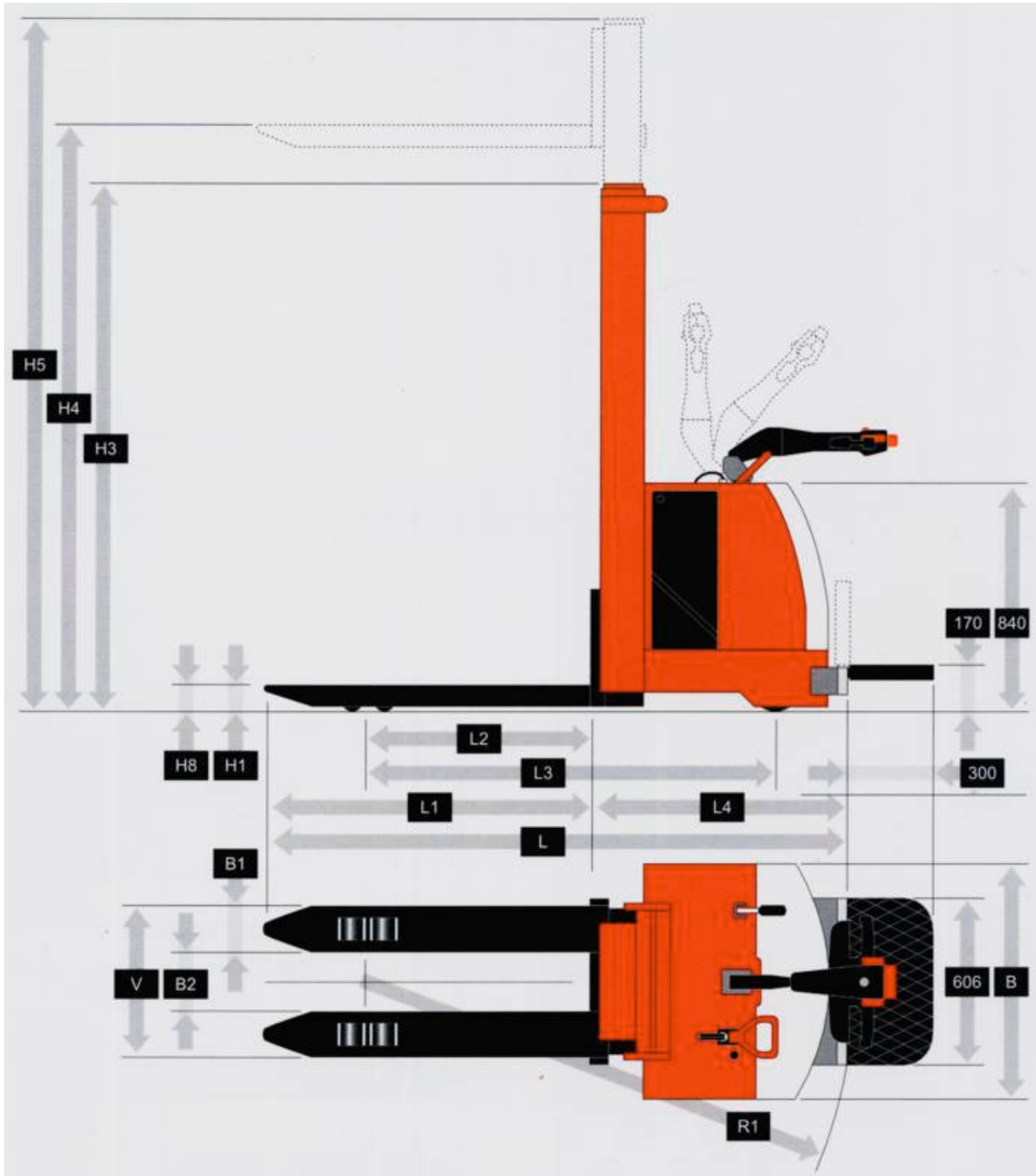
WTC - BEST ERGONOMIC EQUIPMENT - AT LOWEST PRICES!

WTC POWER STACKER

- *Power driven (Self-propelled)*
- *All electric components from leading European producers*
- *Extremely powerful and silent motor*
- *Excellent manoeuvrability*
- *Automatic speed control*
- *Adjustable acceleration*
- *Adjustable electric braking*
- *Anti roll back*
- *Smooth, stepless lifting and lowering*
- *Duplex mast*
- *Separate valve unit*
- *Creep speed function*
- *Digital programming with console*
- *Extra large battery compartment*



Please turn page for technical data!



Technical Data		PS1200		Width over straddles	mm	480	480
						/620	/620
		3350	2750	Distance between front axle and retracted fork wheel	L2 mm	740	740
Truck length, with platform - without platform	L mm	L1+L4	L1+L4	Axle distance	L3 mm	1420	1420
Truck width	B mm	860	860	Wheel track, front/rear (centre line wheels)	mm	360 /630	360 /630
Fork length	L1 mm	1150	1150	Ground clearance at half axle distance	mm	30	30
Width over forks	V mm	520 /680	520 /680	Lift capacity	Q kg	1200	1200
Distance to retracted fork wheel, with/without platform	L4 mm	920 /1260	920 /1260	Load centre	C mm	600	600
Fork arm, width - thickness	B1 mm	160	160	Lift height	H4 mm	3350	2750
Fork height, min.	H1 mm	85	85	Mast height	H3/H5 mm	2190 /3810	1900 /3210
Straddle height	H8 mm	80	80	Turning radius	R1 mm	2230	2230
Width between straddles	B2 mm	240 /420	240 /420	Total weight with/without battery	kg	630 /760	600 /730



Reg. No 1974 / 001914 /07
www.palletised.co.za