

TM

# PALLET KING 2500



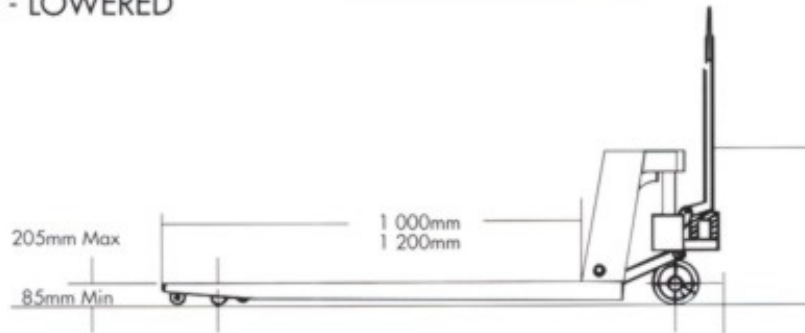
## Hydraulic Pallet Truck

# PALLET KING 2500

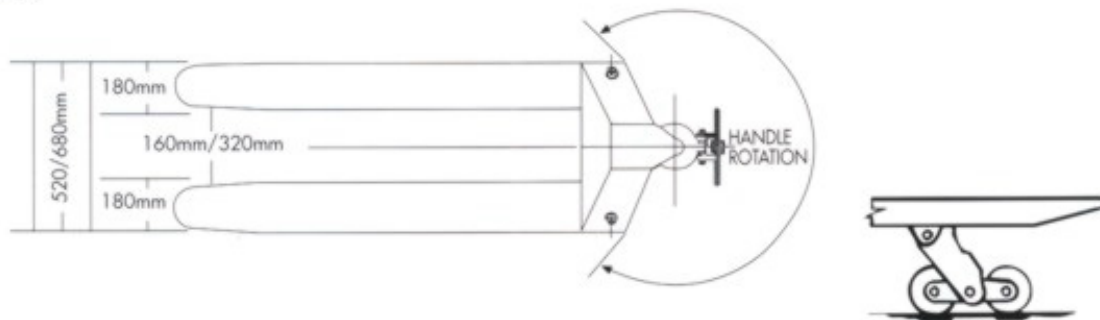
## TECHNICAL DATA

## TEGNIESE DATA

SIDE ELEVATION - LOWERED



PLAN



CAPACITY	2500Kg	DRAVERMOË
STEERING WHEELS	NYLON OR POLYURETHANE 200mm	STUURWIELE
LOAD ROLLERS	NYLON OR POLYURETHANE 100 x 85mm	VOORSTE ROLLERS
APPROX. WEIGHT	85Kg	GEMIDDELDE GEWIG
BUILT-IN NEUTRAL POSITION		INGEBOUDE NEUTRALE POSISIE

- \* NON-STANDARD WIDTHS, LENGTHS & BOGIE OPTIONS AVAILABLE
- \* NIE STANDAARD WYDTES, LENGTES EN BOGIE KEUSE VERKRYGBAAR

Designed and manufactured in South Africa



Reg. No 1974 / 001914 /07  
[www.palletised.co.za](http://www.palletised.co.za)